

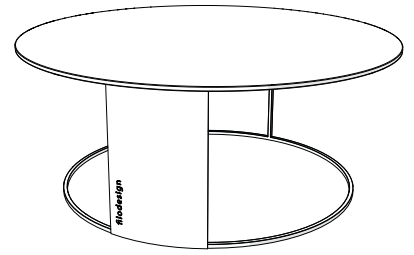
# ROUND

ROUND 8033 MR  
ROUND 8033 ROVR

Coffee table cm 80x33 H

design Arch. Michela Gerlo e Arch. Luca Lobati

Coffee table for living room with painted steel structure and wood or marble plan..



Dimensions:	80 x h 33 cm.
Weight:	40 kg.
Material:	White matt painted steel structure or rust painted structure. White Carrara marble or Oak wood for plan.
Details:	Very easy to assemble. Instructions are included in the packaging of assembly.
Included accessories:	-
Optional accessories:	-
Note:	-
Maintenance:	Do not use steel wool or anything that may scratch the coating. It is advisable to check the screws every two years.



White Marble



Oak wood

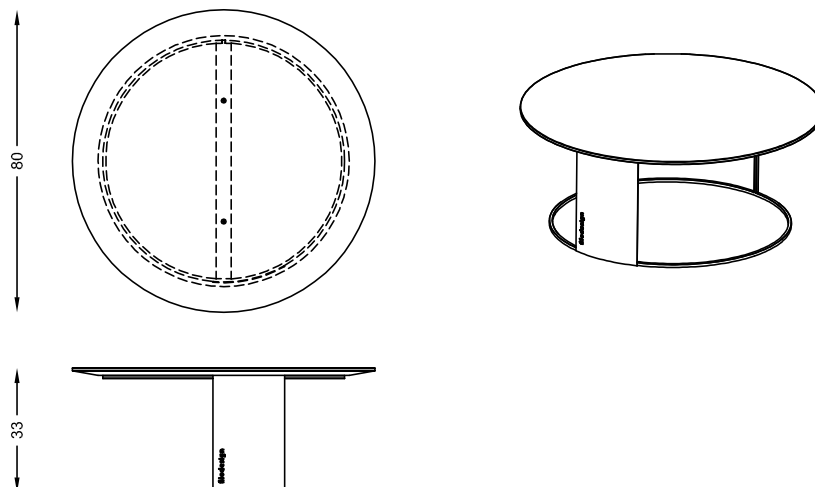


White



Rust

DIMENSIONS (cm)



filodesign®

rev. DS ROUND8033 EN - 1117

Filodesign s.a.s. - Via Baudenile 3 - 10040 Leini - Torino - Italy

<http://www.filodesign.it> - [info@filodesign.it](mailto:info@filodesign.it)

The company Filodesign s.a.s. reserves the right to make modifications without prior notice. Any reproduction, even partial, is strictly prohibited.